



Wireless



data sheet

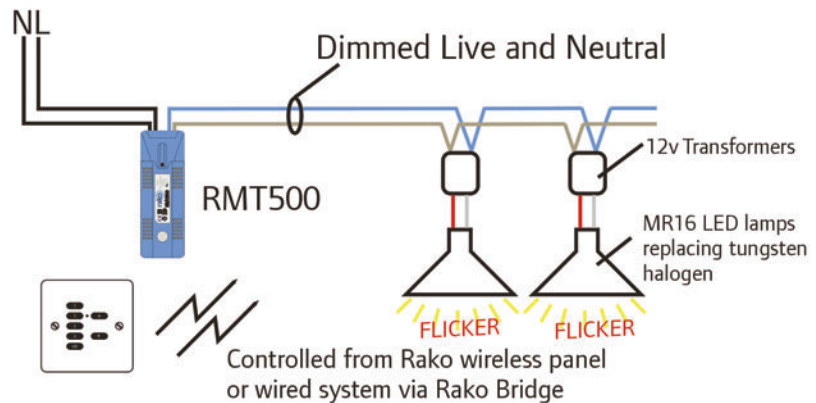
LED DIMMING - MR16 LED LAMPS

There are two options for dimming MR16 LED lamps, which are primarily designed for replacing halogen spotlights. These lamps are designed to work with low voltage lighting transformers. Transformers designed for halogen lighting however have varying requirements for acceptable dimming, such as having minimum loadings, which are not always suitable for the low loads of LEDs. As the transformer adds another variable into the equation this method often gives poor results and is not recommended.

Method One – Mains dimmed low voltage MR16 LEDs (Not recommended).

Method Two – PWM (Pulse Width Modulation) dimming using a RAKO RLED150CV1 (Recommended). This method involves removing the original lighting transformers and directly dimming the lamps from an RLED150CV1 module. This module requires a 12V DC power supply (such as a standard Constant Voltage power supply) of an adequate power rating to be fitted in the circuit before the RLED150CV1 module, as in the diagram.

Dimming MR16 LED Lamps replacing tungsten halogen with transformers (NOT RECOMMENDED as lamp transformer compatibility is too uncertain)



Alternative (RECOMMENDED)
Dimming MR16 LED Lamps with
1 x LED Constant Voltage 12v DC Driver

